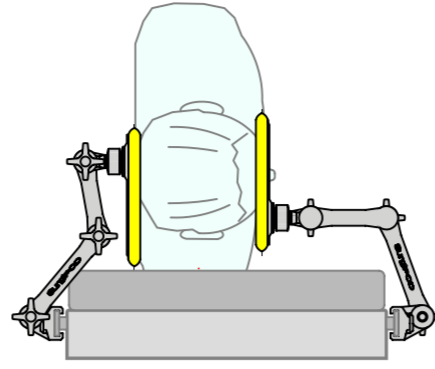
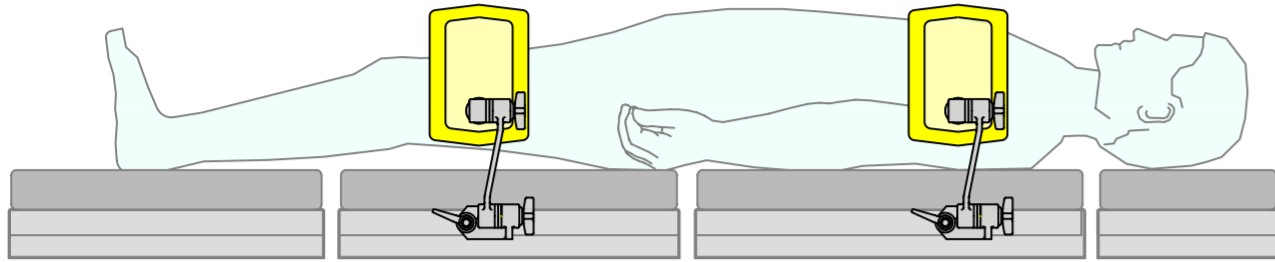
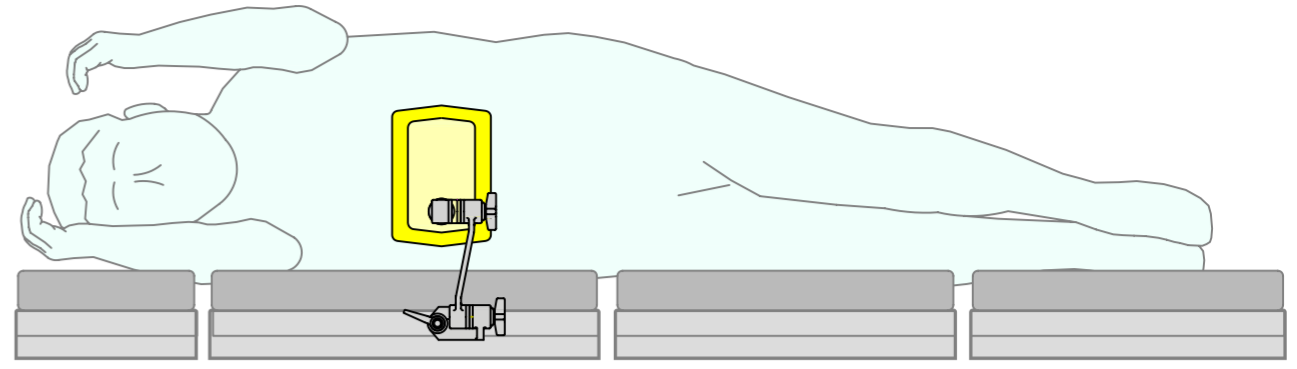


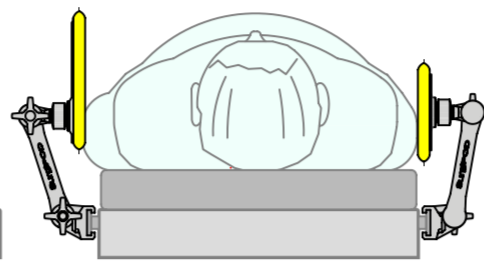
1. Standard Lateral Supports - Plates Vertical



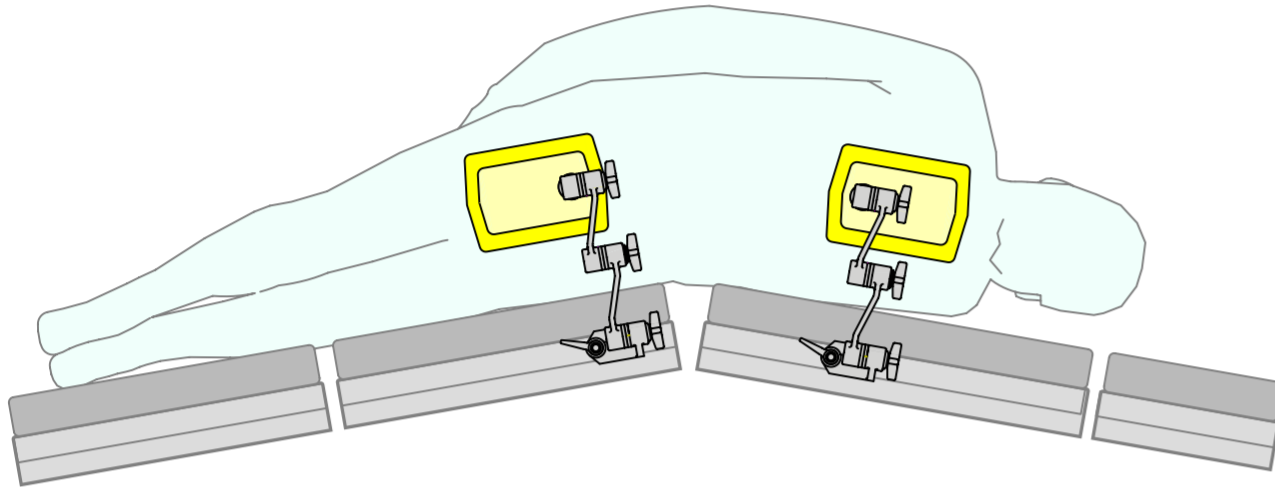
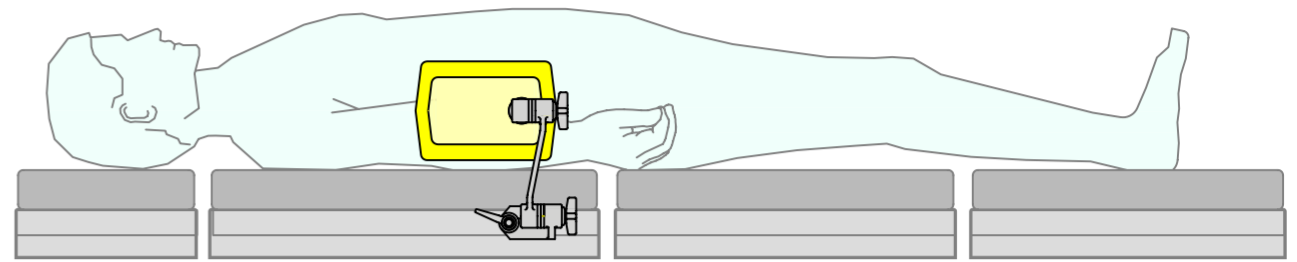
Standard Lateral Support - Plate Vertical 2.



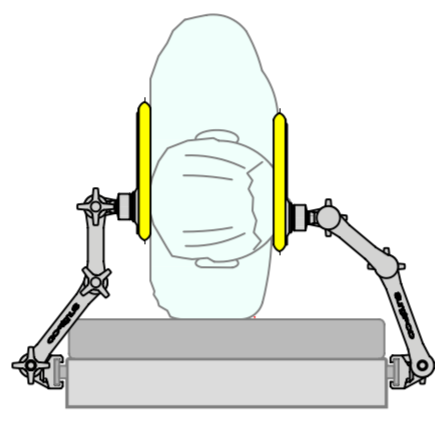
3. Single Arm Lateral Support - Plate Vertical



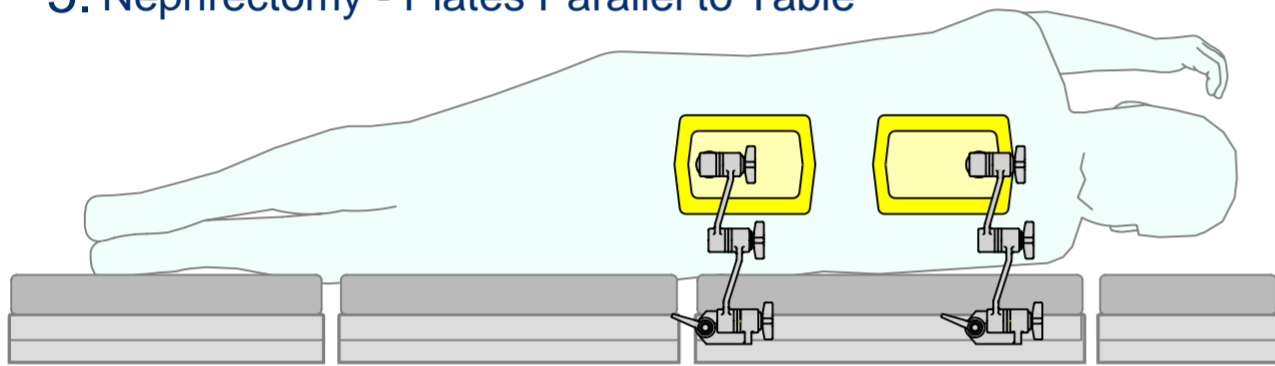
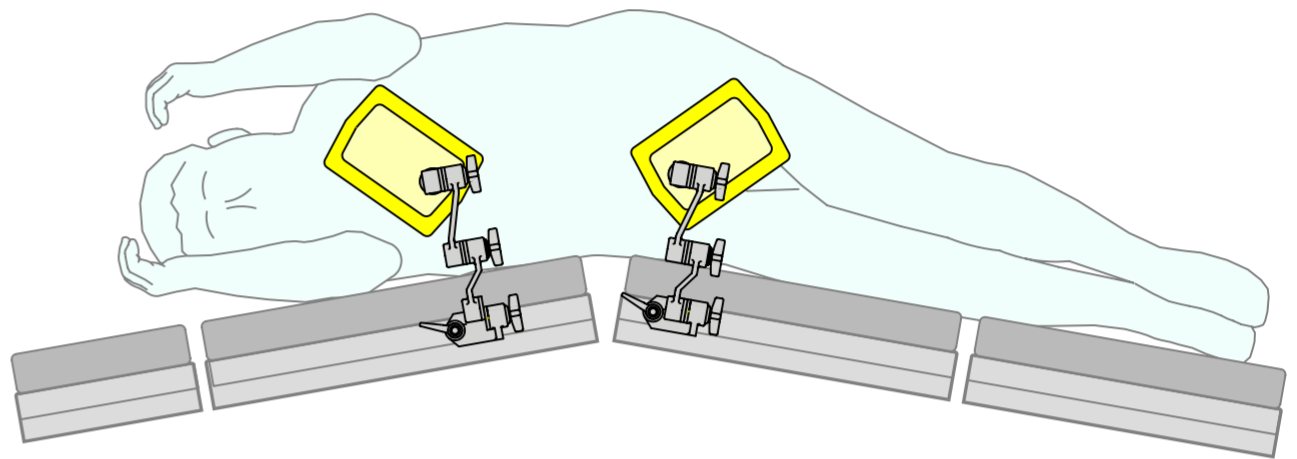
Single Arm Lateral Support - Plate Horizontal 4.



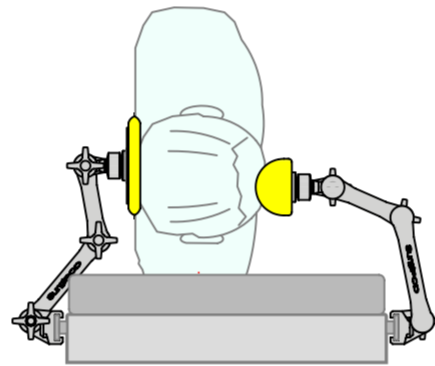
5. Nephrectomy - Plates Parallel to Table



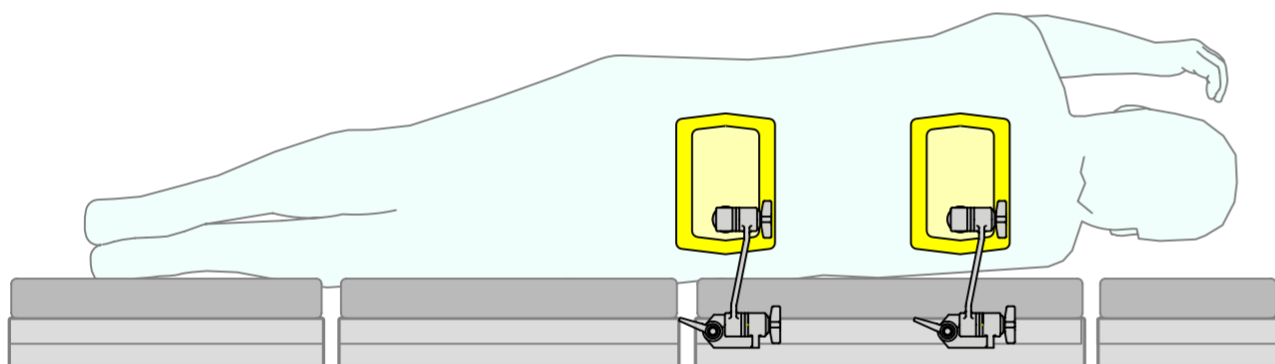
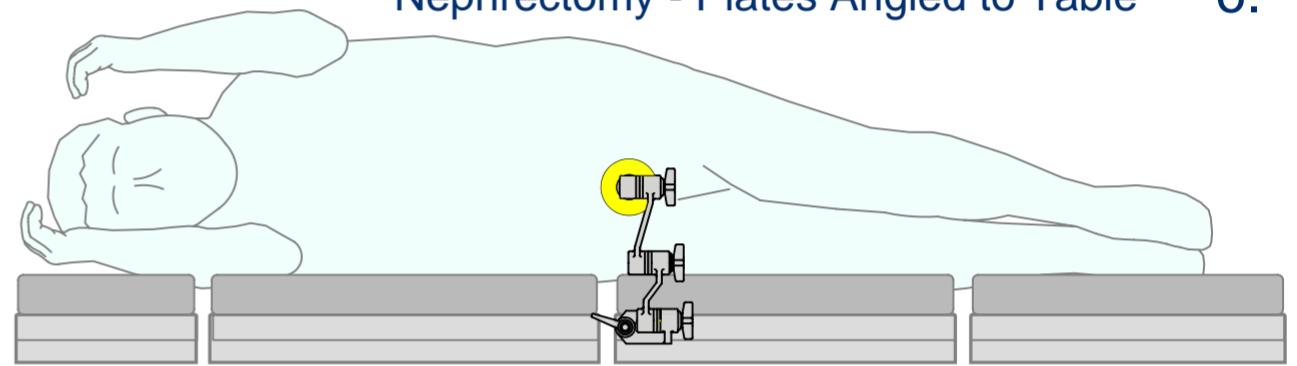
Nephrectomy - Plates Angled to Table 6.



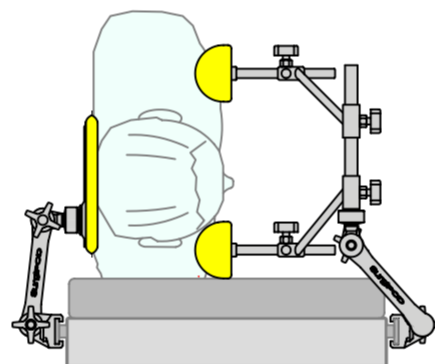
7. Lateral Support - Plates Horizontal



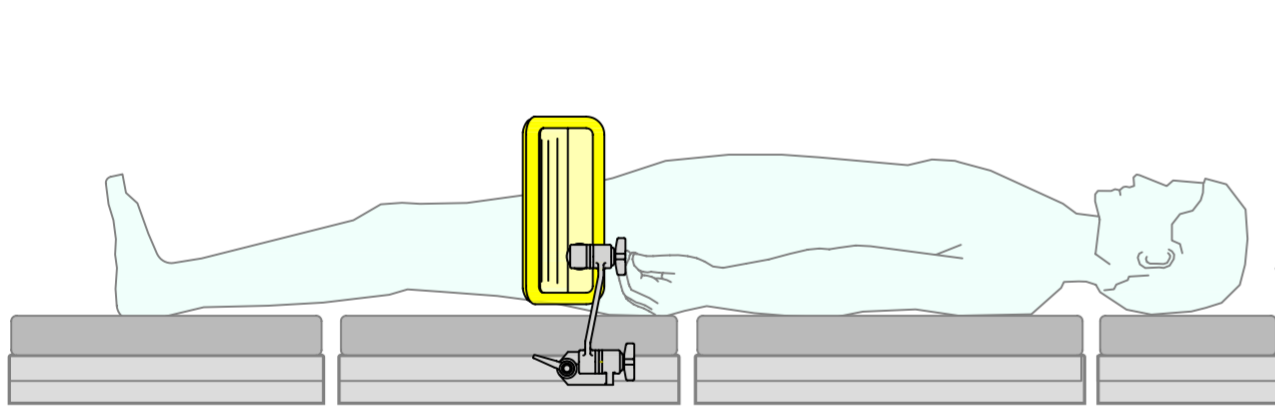
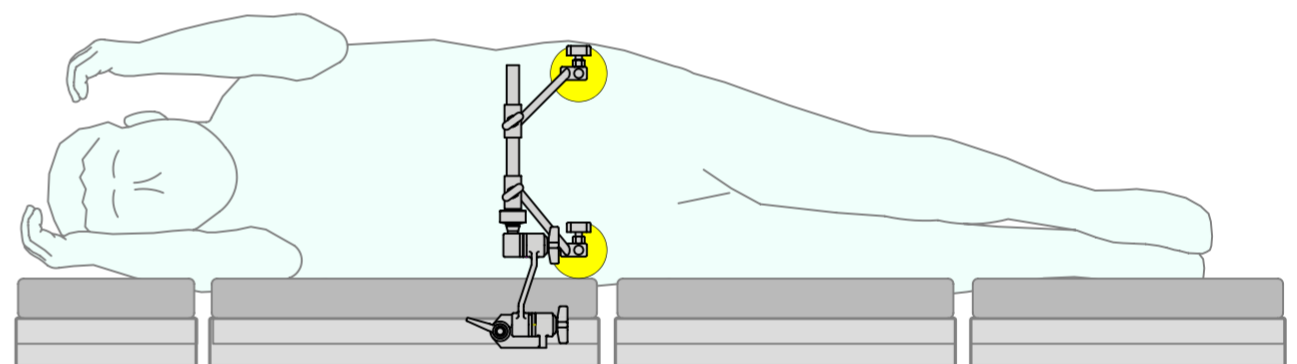
Hip Positioner - Off pubic bone 8.



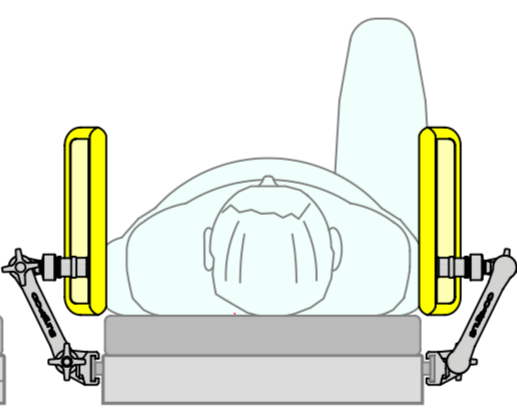
9. Single Arm Lateral Supports - Plates Vertical



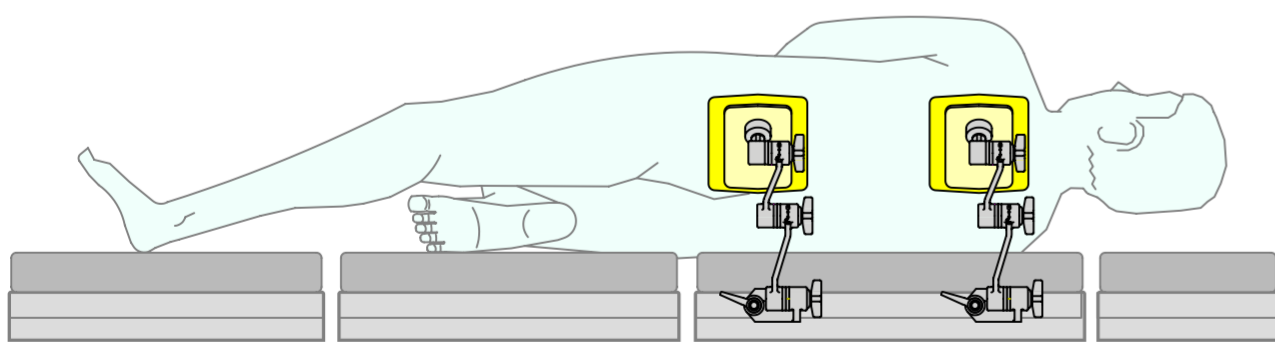
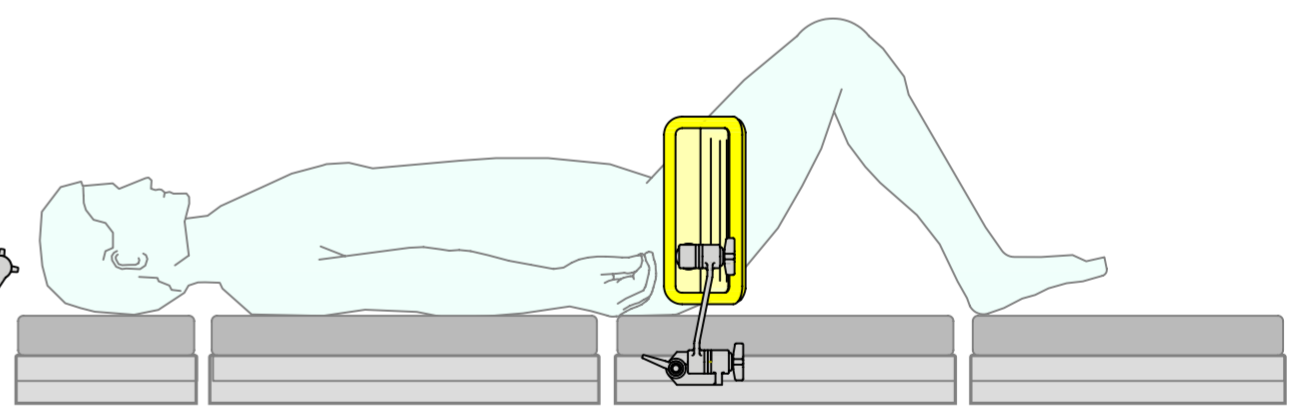
Hip Positioner - Off iliac crest points 10.



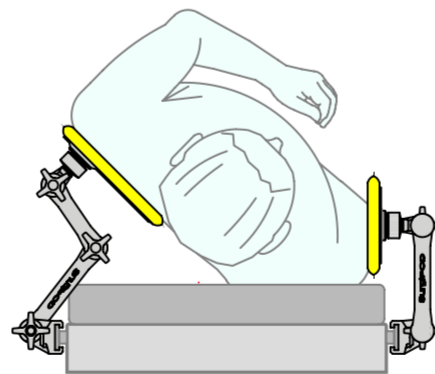
11. Bolster Plate positioned for Knee Arthroscopies



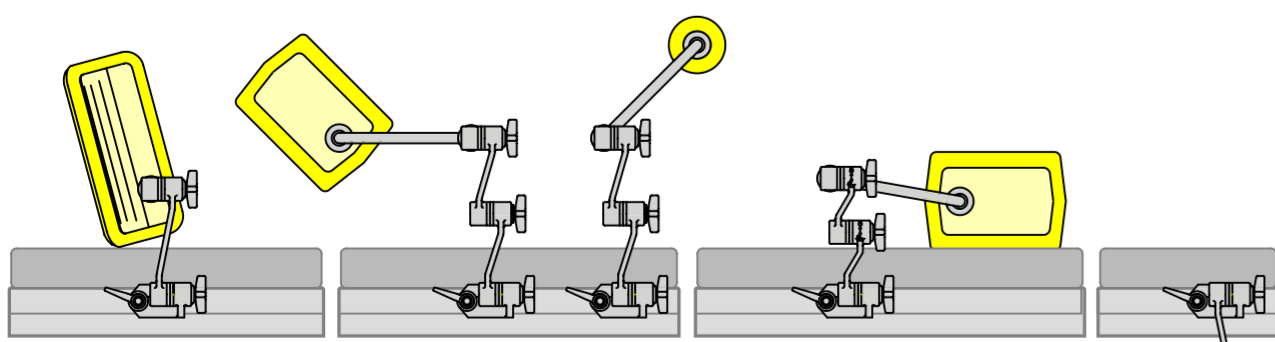
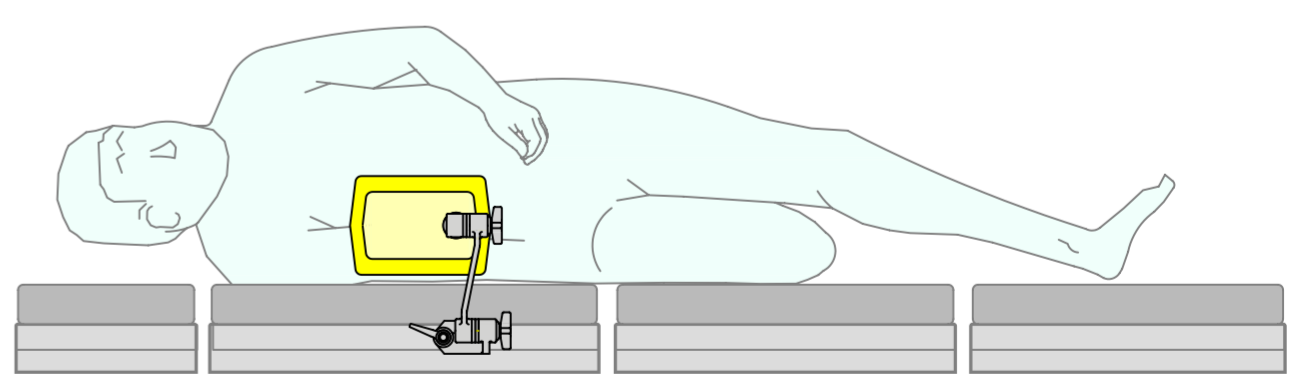
Bolster Plate positioned for knee replacements 12.



13. SEMI Lateral Supports....Patient at any angle to the table



Single Arm Lateral Support - Plate Horizontal 14.



15. A Position to Suit Everyone

Offset Members

A9345 Quick Setup Guide Page 1 Rev J

Arms in the park position.

Extension Piece for Greater Reach

Obese Patients